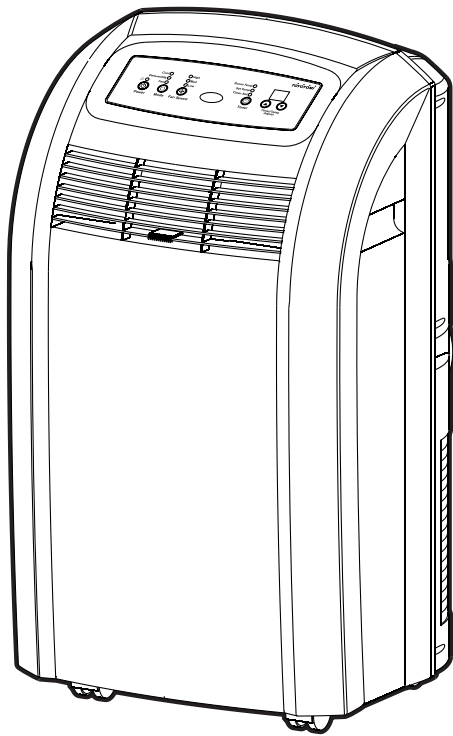


TÖYÖTÖMI



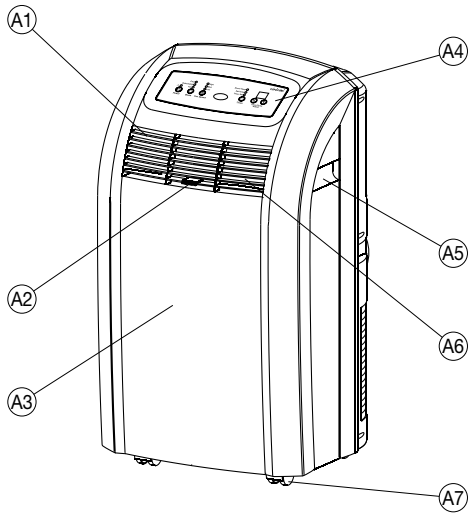
TAD-35E

MOBILE AIR CONDITIONER
CLIMATISEUR MOBILE
MOBILES KLIMAGERÄT
MOBIELE AIRCONDITIONER

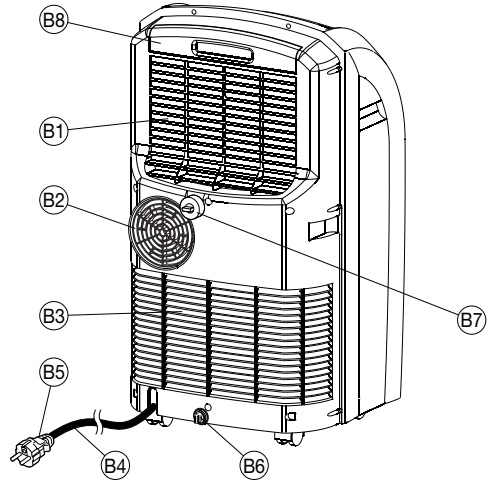
OPERATING MANUAL
MANUEL D'UTILISATION
BEDIENUNGSANLEITUNG
GEBRUIKSAANWIJZING

ENGLISH P. 1
FRANÇAIS P. 5
DEUTSCH P. 9
NEDERLANDS P.13

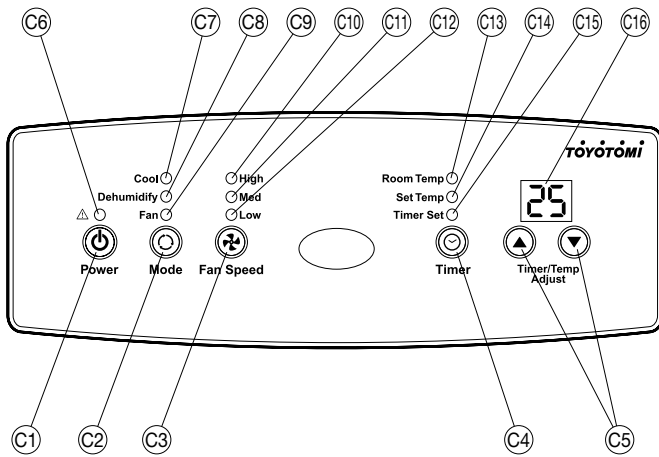
A



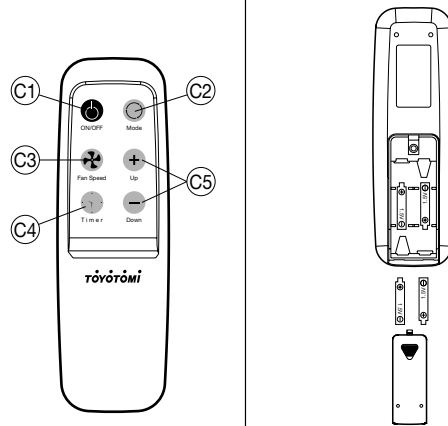
B



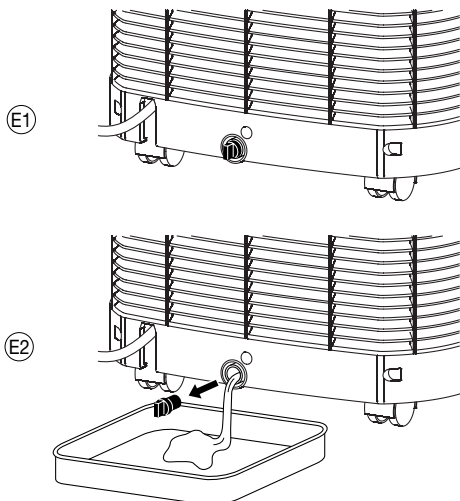
C



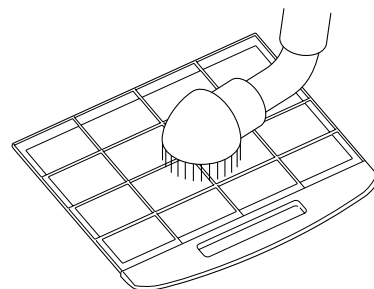
D



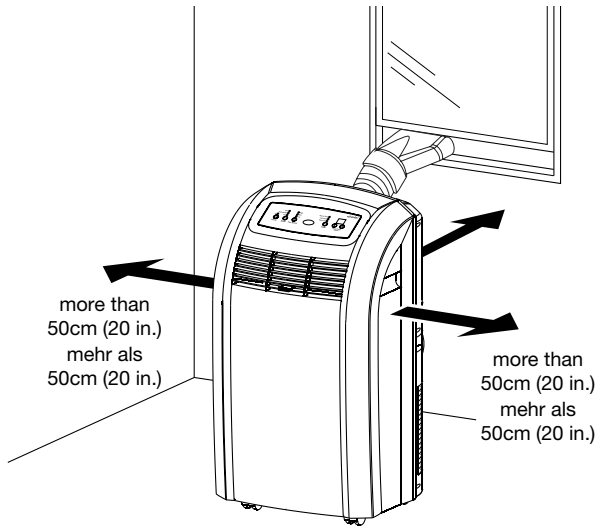
E



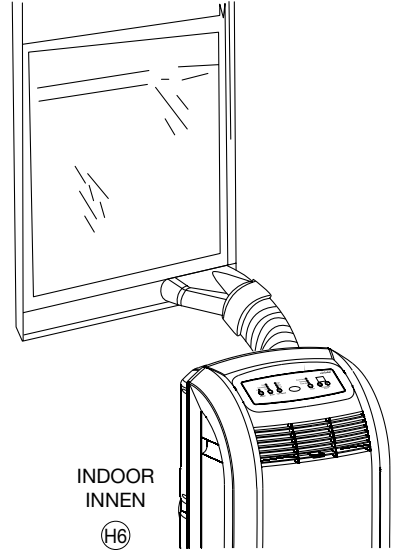
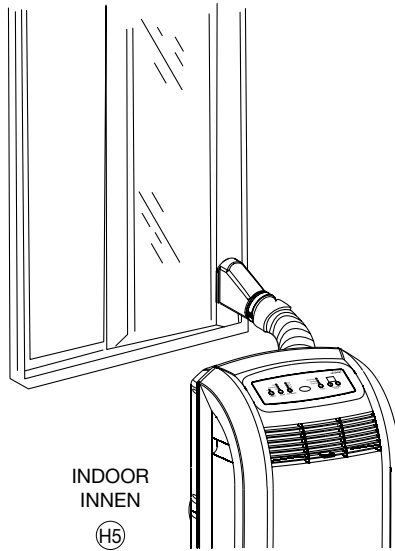
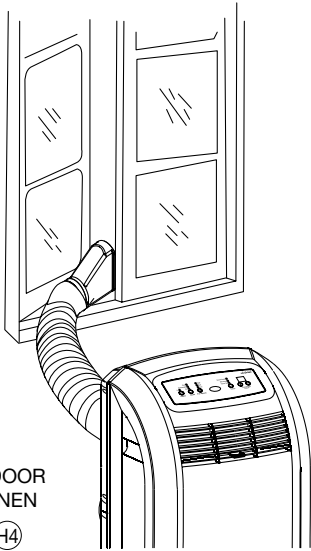
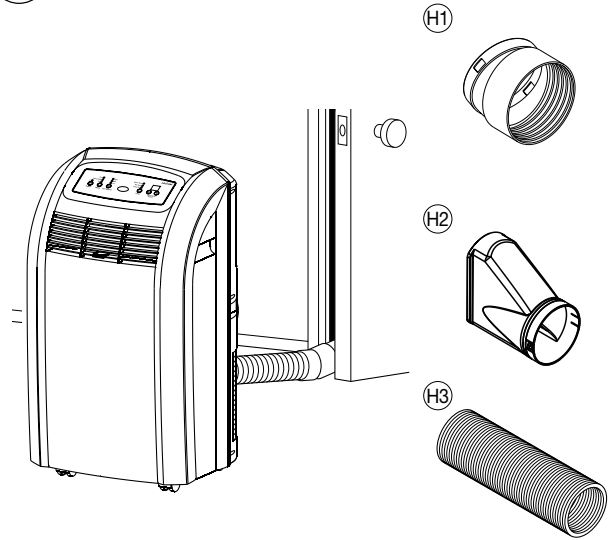
F



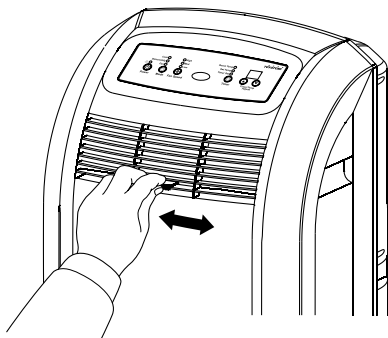
G



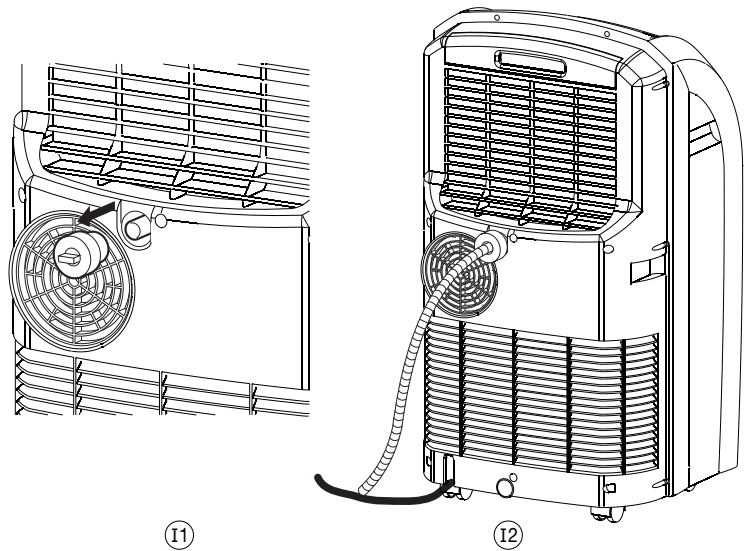
H



J



I



SUMMARY

The idea behind the unit is to provide a localized supply of cool air. The unit will greatly enhance your personal comfort whether at a work station or even in your favorite chair.

Four (4) casters enable you to move the unit easily from room to room. It cools and dries the air at the same time so that you can stay comfortable even when it's humid or rainy outside. Also your furnishings and fabrics are kept in good condition when it's used as dehumidifier.

Conventional air conditioners use large quantities of energy to cool an entire room, including walls and furniture. This unit creates a zone of cool and dry air only where it is needed. It does not waste energy cooling the surroundings.

It's easy to operate. The built-in timer allows from 1 to 12 hours of operation, which will automatically turn the unit on and off. This is especially convenient at bedtime.

Venting is not required. However, if the unit is to be used exclusively in one space, the cooling efficiency will be enhanced by using the venting kit accessory, which is included with the unit.

OPERATIONAL FEATURES

1. COOLING OPERATION:

Normally, cool air is directed out the front louvers by the circulation fan which has three (3) stages of fan speed.

2. AUTOMATIC OPERATION:

Once the desired function has been set, it is memorized as long as it remains connected to the wall outlet. In the event of a power failure, the desired function must be re-entered when power is restored.

3. THERMO CONTROL:

The compressor will automatically shift to ON or OFF to maintain the desired temperature.

4. TIMER OPERATION:

The unit will turn on and off after the designated period of time (1, 2, 3, ... 12 hours).

5. AUTOMATIC SHUT-OFF MECHANISM WHEN THE DRAIN TANK IS FULL:

When the drain tank is full, the unit will be automatically shut off. The warning lamp will light. It is always required to press the power button twice to resume operation after the condensed water is removed from the tank.

6. AIR FILTER:

A pre-filter protects the unit from dust.

1. DESCRIPTION

Fig. A FRONT

- A1 Air outlet
- A2 Vertical louver
- A3 Front panel
- A4 Operation panel
- A5 Carrying handle
- A6 Horizontal louver
- A7 Caster

Fig. B REAR

- B1 Air intake (Evaporator)
- B2 Exhaust outlet
- B3 Air intake (Condenser)
- B4 Power supply cord
- B5 Power plug
- B6 Drain water outlet
- B7 Water outlet drain for continuous drain operation (Dehumidify mode only)
- B8 Air intake grille (Pre-filter)

Fig C OPERATION PANEL

- C1 Power button
- C2 Mode button
- C3 Fan speed button
- C4 Timer button
- C5 Adjust buttons
- C6 Warning lamp (Tank full)
- C7 Cool mode lamp (green)
- C8 Dry mode lamp (red)
- C9 Fan mode lamp (orange)
- C10 High air flow lamp

- C11 Med air flow lamp
- C12 Low air flow lamp
- C13 Room temp lamp
- C14 Set temp lamp
- C15 Timer set lamp
- C16 Digital indicator

Fig. H EXHAUST DUCT SET

- H1 Exhaust duct hose adapter nozzle (2 pcs.)
- H2 Exhaust nozzle
- H3 Exhaust duct hose

2. SAFETY TIPS

IMPORTANT

- Read instructions carefully before operation.
- The unit should be operated when the room temperature is between 18°C to 35°C. If the room temperature is below 18°C, ice may form on the coils. If the room temperature is above 35°C, the compressor will automatically shut off to protect itself.
- ALWAYS, wait 3 min. to restart after turning unit off.

⚠ WARNING

- NEVER expose infants, handicapped persons, or senior persons directly to the airflow. Adjust the airflow direction.
- Keep children away from the unit. Children are particularly liable to this danger. The inside fan is running at high speed. Covering them may deteriorate air conditioner performance or cause it to become inoperative.
- NEVER insert objects of any kind into the air intake or air outlet.
- DO NOT unplug if your hands are wet. An electrical shock may occur.
- DO NOT operate in a wet location.
- ALWAYS plug into 220~240V, 50Hz, single phase electrical outlet.
- Be sure the power plug fits the receptacle securely.
- DO NOT run power cord under carpets, rugs, or floor mats of any kind.
- DO NOT attempt to shorten or alter power cord in any way.
- DO NOT apply any excessive force or pressure to the power supply cord.
- Make sure that the plug is free of dust.
- DO NOT use an extension cord.
- DO NOT turn on and off by inserting or removing the power plug which may cause electric shock or fire.
- If there is a fear of lightning, stop the unit and disconnect the power supply cord.
- DO NOT touch the evaporator, condenser and pipes.
- DO NOT operate with filter removed.

⚠ CAUTION

- Keep unit more than 50 cm (20 in) away from any objects or wall. (Fig. G)
- If the unit is operated in COOL mode in an area of very high moisture, the top plate and the rear plate may get covered with a mist. Wipe off any mist before it has a chance to get on the floor or rug.
- Remove drain water before moving unit.
- To minimize corrosion, DO NOT use in damp, salty air area.
- DO NOT operate in direct sunlight.
- DO NOT use for such particular purpose as preservation of foodstuff, animals, plants, precision appliances, arts and medicine.
- DO NOT place an animal, plants or combustion equipment in a place which is subjected to the direct air flow of the unit.
- DO NOT ride or place the objects on the unit.
- DO NOT turn the unit on its side or upside down.

3. OPERATION

OPERATING STEPS:

1. PRESS "POWER" BUTTON (C1) TO "ON".

Cool mode lamp (C7) and Low lamp are lit at this time and unit starts.

2. PRESS MODE BUTTON (C2).

Press the mode button (C2) to set your desired operation mode "COOL" (C7), "DEHUMIDIFY" (C8) or "FAN" (C9).

COOL mode (C7)

During the "COOL" mode the air is cooled and hot air is exhausted to the outside air through the exhaust duct hose.

DRY mode (C8)

Air is dehumidified as it passes through the unit, without being in full cool mode.

In "DEHUMIDIFY" mode operation, you cannot change the fan speed.

Note: When using the continuous drain function, remove the rubber cap cover from the water drainage outlet. (I1)
Then place the drainage hose (ø13mm inner diameter) horizontally below the drainage hole. Avoid uneven ground and folding the hose. (I2)

FAN mode (C9)

The "FAN" mode provides only circulation of room air, so that you cannot set the room temperature.

3. PRESS TIMER / TEMPERATURE ADJUST BUTTONS (C5)

Set the desired room temperature by pressing UP button "▲" or DOWN button "▼". The default display is room temperature.

When "▲" or "▼" button is pressed, the set temperature is displayed and may be adjusted. After 15 seconds the display will revert back to room temperature.

By pressing both buttons at once, the display will toggle between Celsius and Fahrenheit.

4. PRESS FAN SPEED BUTTON (C3)

Press the fan speed button (C3) to set the desired air flow rate.

High ······ Operation at a high air flow (C10)

Med ······ Operation at a medium air flow (C11)

Low ······ Operation at a low air flow (C12)

5. AIR DIRECTION

The vertical louvers (A2) may be set on right and left manually in desired direction. (Fig. J)

6. STOP OPERATION

Press the Power button (C1) and all lights will go out.

TIMER OPERATION

Auto turning OFF:

With unit in cool mode, press Timer button (C4) to select number of hours you would like the unit to run in cool mode until it automatically shuts off.

Auto turning ON:

With unit powered off, press Timer button (C4) to select number of hours until you would like the unit to automatically start.

USING REMOTE CONTROL

The functions work the same as your air conditioner's operation panel. (Fig. C)

Batteries: Remove the cover on the back of the remote control and insert the batteries with the (+) and (-) poles pointing in the proper direction. (Fig. D)

⚠ CAUTION

- Use only AAA or IEC R03 1.5V batteries.
- DO NOT use rechargeable batteries.
- All batteries should be replaced at the same time.
- DO NOT dispose of the batteries in a fire as they may explode.
- DO NOT install the batteries with the polarity (+/-) reversed.
- Keep batteries and other things that could be swallowed away from young children. Contact a doctor immediately if an object is swallowed.

4. DRAINING EXCESS WATER (Fig. E)

1. Drain excess water from the tank by placing a pan under the drain water outlet. (Fig. E2)
2. Remove the drain plug, and let the water drain into the pan.
3. When the water stops draining out, replace the drain plug.
4. Remove the pan of water.
5. Operate the unit in Fan mode to dry the interior of the unit.

NOTE: Remove the drain water from the tank once a week.

5. CLEANING

CLEANING AIR INTAKE GRILLE (Fig. F)

1. Clean the air intake grille (B8) once every two weeks.
2. To remove the air intake grille (B8), pull the grille off.
3. Remove the dust with a vacuum cleaner.

⚠ WARNING

- DO NOT touch the evaporator. It may cause injury or damage.

⚠ CAUTION

- DO NOT rinse the charcoal filter with water.

CLEANING SURFACE

Clean the outside of the unit with a soft damp cloth.

⚠ CAUTION

- NEVER use gasoline, solvents, chemical, products or polish as they could damage the surface.

6. LONG-TERM STORAGE

At the end of each season, or when you do not plan to use your unit for an extended period of time, the following procedures are recommended.

1. Run the unit 5 or 6 hours with only the "FAN" (C9) mode operating in order to dry the inside.
2. Remove the drain water from the tank and unplug the unit.
3. Clean the unit.
Wipe off any dirt or dust on the unit with a soft damp cloth or a vacuum cleaner, and then wipe again using a soft dry cloth.
4. Clean the air intake grille (B8) and replace it.
5. Store the unit.

The original shipping carton is the best place to store your unit. If you do not have the original packing materials, cover the unit with a large plastic bag and store in a cool dry place.

⚠ CAUTION

- ALWAYS store the unit in the vertical position.
- DO NOT put heavy objects on top of the unit.

TRANSPORTATION

Preferably keep the unit in the vertical position during transportation. If it is necessary to place the unit in a horizontal position more than 1/2 hour, ALLOW IT TO REMAIN UPRIGHT FOR 24 HOURS BEFORE OPERATION. Failure to do so may result in damage to the compressor. Before transporting / moving the unit make sure the drain tank is empty.

8. TROUBLESHOOTING

SYMPTOM	CAUSE	SOLUTION
Unit does not work.	<ul style="list-style-type: none"> - Power cut. - The plug has been plugged improperly. - The full-tank indicator is ON. Tank is full. 	<ul style="list-style-type: none"> - Wait for power to be supplied again. - Plug in again. - Remove the drain water from the drain tank.
Unit suddenly stops during in operation.	<ul style="list-style-type: none"> - The indoor temperature has reached the set temperature level. - The preset time is up. - The full-tank indicator is ON. Tank is full. 	<ul style="list-style-type: none"> - Reset the temperature level. - Reset the timer. - Remove the drain water from the drain tank.
Unit runs intermittently	<ul style="list-style-type: none"> - Malfunction - Surrounding temperature is too high or too low. - Exhaust duct hose is blocked. 	<ul style="list-style-type: none"> - Contact your dealer. - Check the duct hose.
Unit functions but the room is not cooled.	<ul style="list-style-type: none"> - Window or door is left open in the room. - There is heat source in the room or too many of people in it. - Air intake grille is clogged. - Filter is too dirty. - Temperature setting is too high. 	<ul style="list-style-type: none"> - Close all windows and door. - Move out any heat source in the room. - Clean the air intake grille. - Replace the filter. - Lower the temperature setting.
Condensed water is spilled out when moving the unit.	<ul style="list-style-type: none"> - The tank is nearly full. 	<ul style="list-style-type: none"> - Remove the drain plug on the rear bottom of the unit, drain off the water then the unit will be in operation automatically.

BEFORE CALLING FOR SERVICE

The following are not defects.

A hissing noise or hollow sound:	⇒ This sound is generated from the refrigerant flowing within pipes.
A squeaking noise:	⇒ This noise is generated from the unit when it is expands or contracts with temperature changes.
Odor:	⇒ Such odor as tobacco, cosmetics, or foods may accumulate in the unit.
The unit does not start nor change operation mode immediately:	⇒ To prevent overloading the compressor motor, the unit will be stopped for more than 3 minutes.

9. SPECIFICATIONS

MODEL	TAD-35E
COOLING CAPACITY	3.40 kW (11,600BTU)
EE Class / EER*	A / 2.61
DEHUMIDIFYING CAPACITY	1.8 L/H
POWER SOURCE	Single Phase 220~240 V, 50 Hz
POWER CONSUMPTION	1300 W
OPERATING CURRENT	5.8 A
AIR FLOW (MAX.)	300 m ³ /h
FOR ROOMS UP TO	75 m ³
OPERATING TEMP. RANGE	18°C ~35°C
SOUND POWER LEVEL	65 dB
UNIT PROTECTION	IP X0
FUSE RATING	T3.15A / 250V
DIMENSIONS (WxHxD)	435 x 390 x 785 mm
WEIGHT	31.5 kg
COMPRESSOR	ROTARY
REFRIGERANT	R-410A / 610g

*Conform EN-14511-2013

NOTE: Cooling air capacity will vary according to temperature and humidity of the room.

CONTAINS FLUORINATED GREENHOUSE GASES COVERED BY THE KYOTO PROTOCOL.
HERMETICALLY SEALED SYSTEM

10. VENTING KIT ACCESSORIES

If the unit is to be used exclusively in one space, the cooling efficiency will be enhanced by using the following venting kit accessories.

EXHAUST DUCT SET (FLEXIBLE TUBE) (Fig. H)
Max. 1.2m

USING EXHAUST DUCT SET (Fig. H)

1. Insert both ends of exhaust duct hose (flexible tube) (H3) in to exhaust duct hose adapter nozzle (H1) by turning it counter clockwise onto the tube and fix one of the exhaust dust hose adapter nozzle (H1) into exhaust outlet (B2) by turning it clockwise until it locks.
2. Extend the exhaust duct hose (H3) and close the window or door as far as possible trapping the exhaust nozzle (H2)

NOTE: Place the unit as close as possible to the window or door. (H4, H5, H6)

LIMITED WARRANTY

TOYOTOMI CO., LTD. ("TOYOTOMI") warrants each product and any parts thereof sold by it to be free from defects in materials or workmanship under normal use and service for 24 MONTHS from the date of delivery to the original purchaser at retail subject to the following terms and conditions :

WHAT IS COVERED : Product or any parts thereof which are defective in materials or workmanship.

WHAT IS NOT COVERED :

This warranty does not extend to any defect due to the negligence of others; failure to install, operate or maintain unit in accordance with instructions (operating and maintenance instructions are furnished with each new unit); unreasonable use, accidents, alteration, use of unauthorized or non-standardized TOYOTOMI parts and accessories; electrical malfunction, i.e., as resulting from large power surges, short circuit, etc.; incorrect installation; or repair by anyone other than a service facility specified by TOYOTOMI.

WHO IS COVERED : The original purchaser at retail.

WHAT WE WILL DO : TOYOTOMI will either repair or replace, at its option, all defective parts free of charge that are covered by this limited warranty on a carry-in basis, to your nearest authorized dealer or distributor of TOYOTOMI.

WHAT YOU MUST DO FOR WARRANTY SERVICE : You must return the defective Product or part to any authorized dealer or distributor of TOYOTOMI with this LIMITED WARRANTY. If service is not available locally, please contact our CUSTOMER RELATIONS DEPARTMENT at :

TOYOTOMI EUROPE SALES B.V.

E-MAIL: info@toyotomi.eu

WEBSITE: www.toyotomi.eu

THE FOREGOING EXPRESSES ALL OF TOYOTOMI'S OBLIGATIONS AND LIABILITIES WITH RESPECT TO THE QUALITY OF PRODUCT FURNISHED BY IT. ALL OTHER WARRANTIES, EXPRESSED OR IMPLIED, INCLUDING THE WARRANTIES OF MERCHANTABILITY OR FITNESS FOR A PARTICULAR PURPOSE ARE DISCLAIMED. TOYOTOMI SHALL NOT BE LIABLE FOR THE LOSS OF USE OF THE PRODUCT, INCONVENIENCE, LOSS OR ANY OTHER DAMAGES, DIRECT OR CONSEQUENTIAL ARISING OUT OF, THE USE OF, OR INABILITY TO USE, THE PRODUCT OR DAMAGES RESULTING FROM OR ATTRIBUTABLE TO DEFECTS IN THE PRODUCT.

No other than TOYOTOMI has authority to extend or modify the terms of this Limited Warranty in any manner whatsoever.

Some states do not allow the exclusion or limitation of incidental or consequential damages or limitations on how long an implied warranty lasts, so these limitations or exclusions may not apply to you. This Limited Warranty gives you specific legal rights and you may also have other rights which vary from state to state.

TOYOTOMI CO., LTD.

5-17, Momozono-cho, Mizuho-ku,
Nagoya, 467-0855 Japan

www.toyotomi.jp